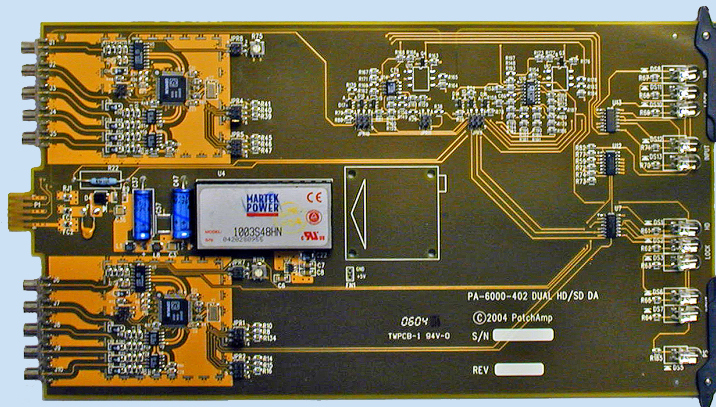


# DUAL SD Distribution Amplifier

Model: PA-6000-402SD

- Dual 1x4 or single 1x7
- True 75 ohm coaxial in and out
- Auto equalizing
- reclocking
- Supports all sd formats
- Removes high frequency jitter
- Compatible with PA3200HD, and PA10032A
- Lock and eq. warning indicators
- Signal meter and fault outputs



## Technical Specifications:

### Input

Number of Inputs	2
Input Connection	75 Ohm BNC
Input Impedance	75 Ohm
Input Return Loss	>18dB up to 270Mb
Signal Level	800mV +/-10%

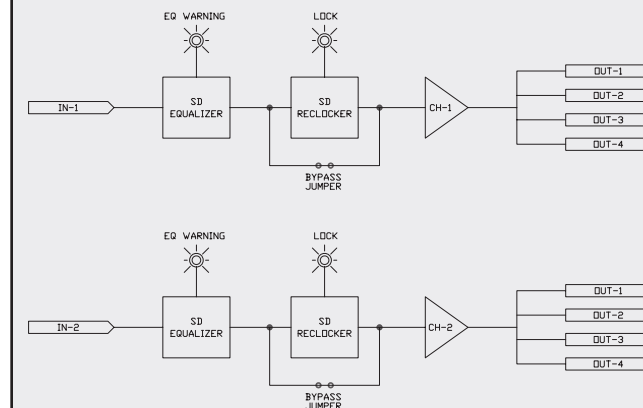
### Output

Channels	Single or Dual
Outputs per Channel	Single-7, Dual-4
Output Connection	75 Ohm BNC
Output Impedance	75 Ohm
Output Return Loss	>18dB up to 270Mb

### Performance

Standards	SMPTE 259M, 344M Compliant
Data Rates	143, 177, 270, 360, 540 Mb/s
Max Cable Length	1,150 ft. @ 270Mb/s Belden 1694A
Equalization Mode	Automatic
Reclocking	YES
Signal Level	800mV Nominal
DC Offset	0V +/-0.5V
Rise & Fall Time	200ps nominal
Overshoot	< 10% of amplitude
Wideband Jitter	< 0.2 UI

### BLOCK DIAGRAM



# PATCHAMP

PATCHING & DISTRIBUTION TECHNOLOGY

20 East Kennedy Street, Hackensack, NJ 07601  
201-457-1504 Fax: 201-457-1507  
www.patchamp.com